










This Firewood rack is proudly Made in the USA!

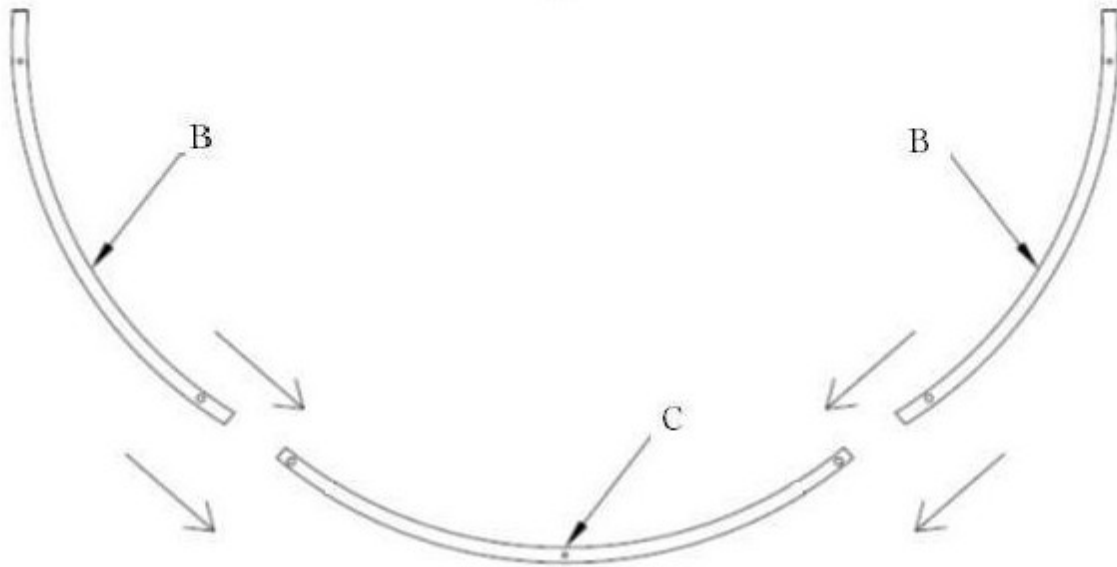


SCRXL—Shelter Crescent Rack Parts List

Letter	Description	Image	Quantity
A	Bottom Arc Section		2
B	Upper Arc Section		4
C	Lower Arc Section		2
D	Support Bracket		3
E	1/4" x 2" SS Bolt		6
F	1/4" Flange Nut		6
G	3/8" x 3 1/2" SS Bolt		4
H	3/8" Flange Nut		4
I	3/8" Washer		4

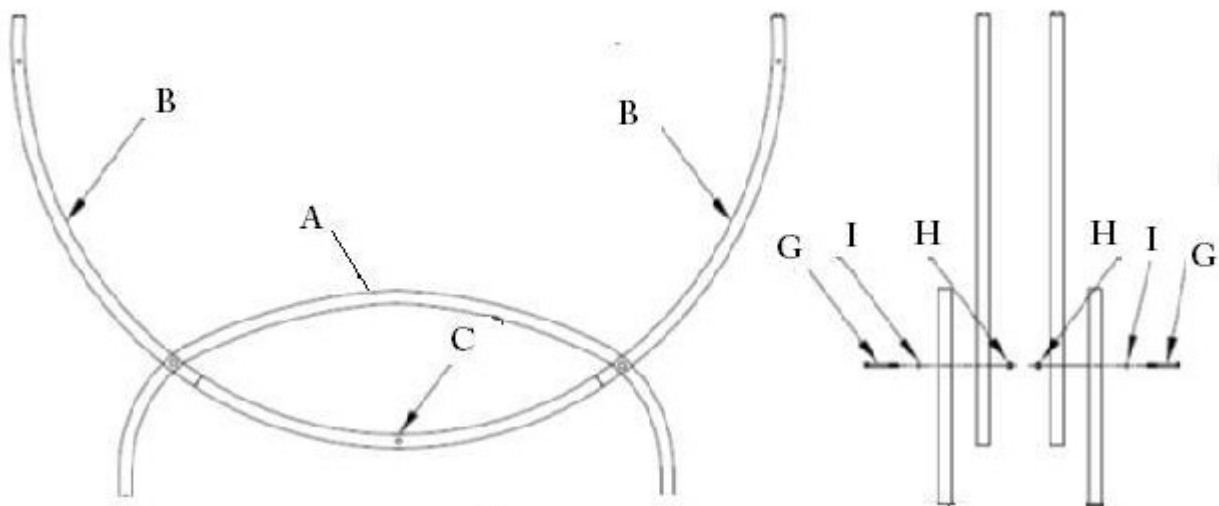
SCRXL-Shelter Assembly Instructions

Step 1

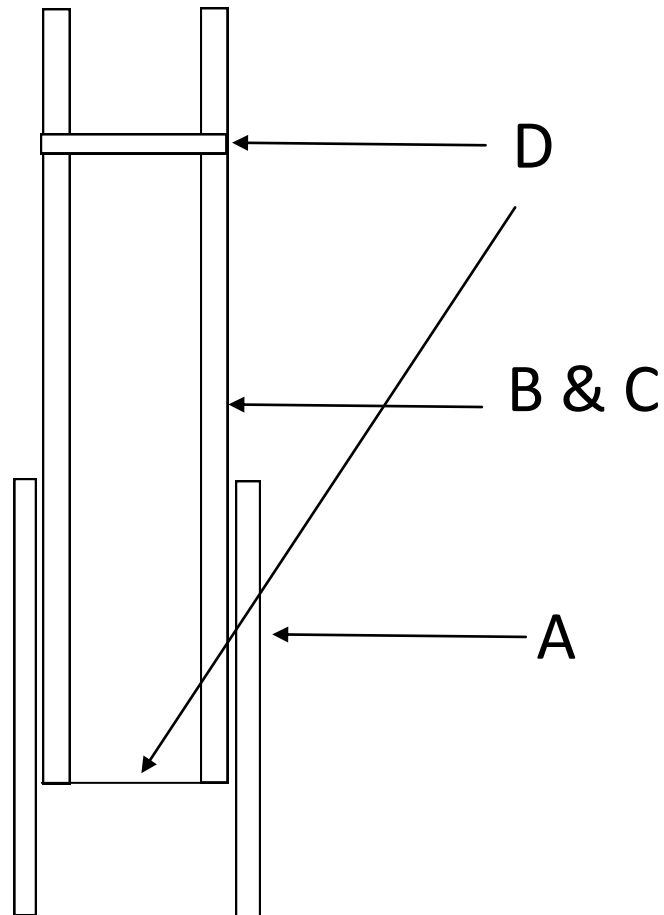


Slide the ends of the Upper Arc Section (B) over the ends of the Lower Arc Section (C). Do not bolt.

Step 2



Attach the upper sections (B & C) to the inside of the bottom section (A) using the 3/8" bolts (G), washers (I) and nuts (H). Place the bolts and washers on the outside with the nuts inside. This connects the entire unit together.



End View

Bolt the support bracket (D) over the outside of sections (B & C) on both ends of the rack and at the bottom using 1/4" bolts (E). Place bolt head on the outside and the nut (F) on the inside.

To prevent the possibility of this product tipping over it MUST be placed on a hard, level surface (Concrete or other stable surface). NEVER place this item on dirt or other unstable surfaces. Concrete stepping stones may be used to create a hard, level surface.